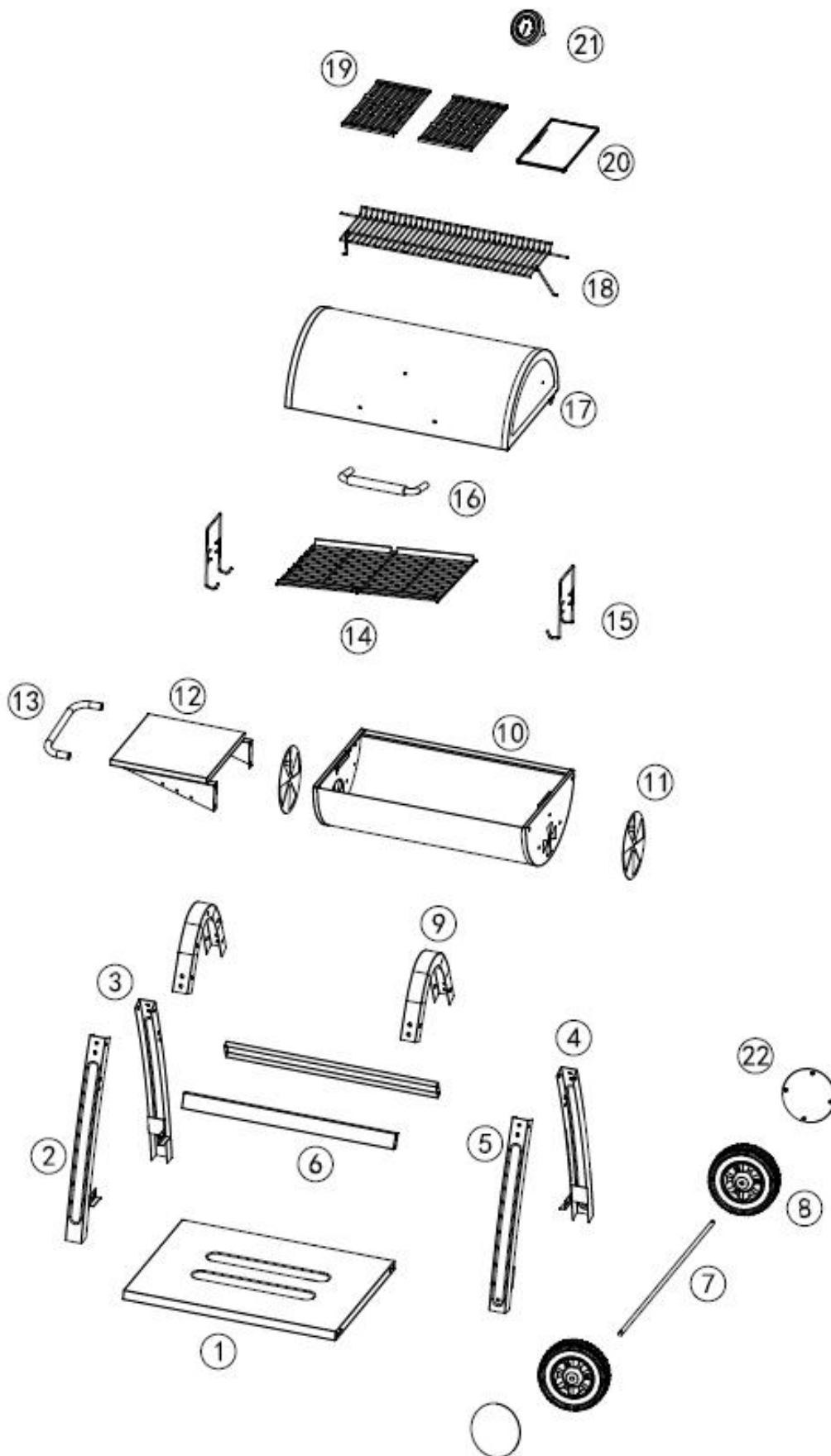














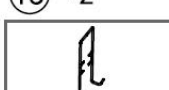
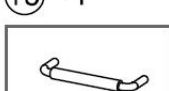





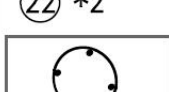
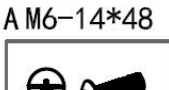



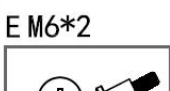
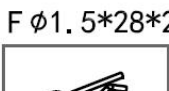
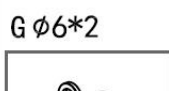



 50min
---	--	---




① *1 	② *1 (LF) 	③ *1 (LB) 
④ *1 (RB) 	⑤ *1 (RF) 	⑥ *2 
⑦ *1 	⑧ *2 	⑨ *2 
⑩ *1 	⑪ *2 	⑫ *1 
⑬ *1 	⑭ *1 	⑮ *2 
⑯ *1 	⑰ *1 	⑱ *1 
⑲ *2 	⑳ *1 	㉑ *1 
㉒ *2 		
A M6-14*48 	B $\phi 1.2 * 21 * 2$ 	C *2 
D M6*2 	E M6*2 	F $\phi 1.5 * 28 * 2$ 
G $\phi 6 * 2$ 		



1

A  8PCS


2

A  16PCS

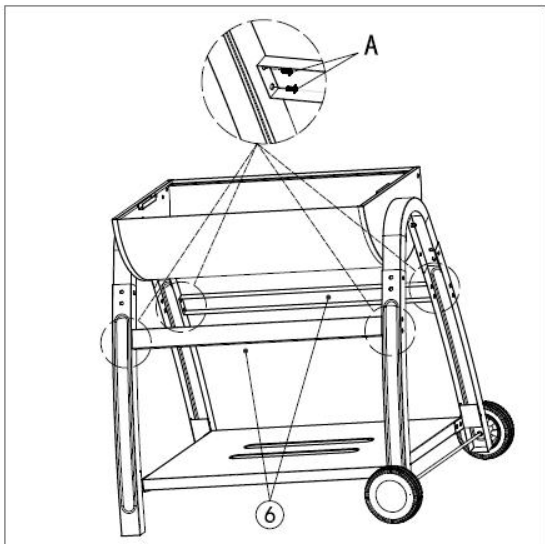
3

F  2PCS C  2PCS

4

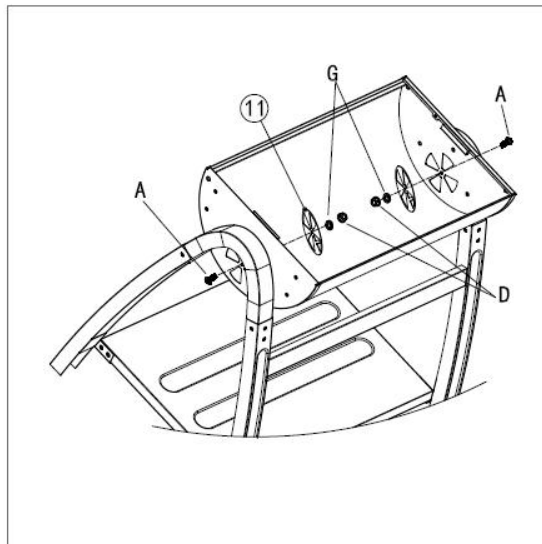
A  6PCS

5



A		8PCS
---	--	------

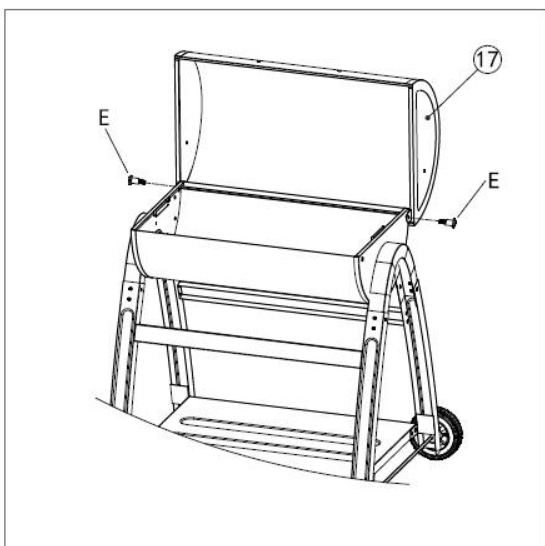
6



D		2PCS
A		2PCS

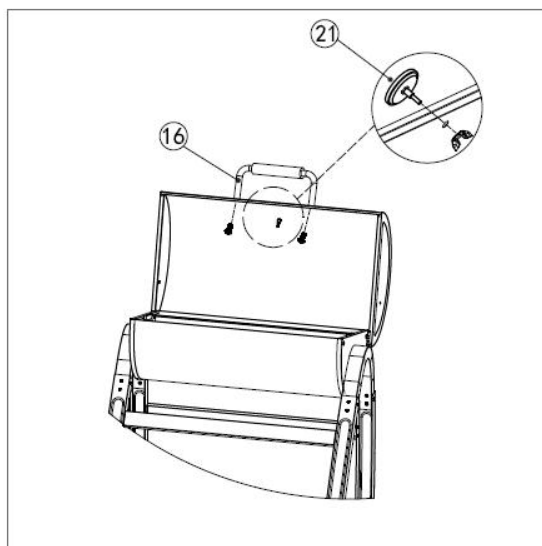
G		2PCS
---	--	------

7



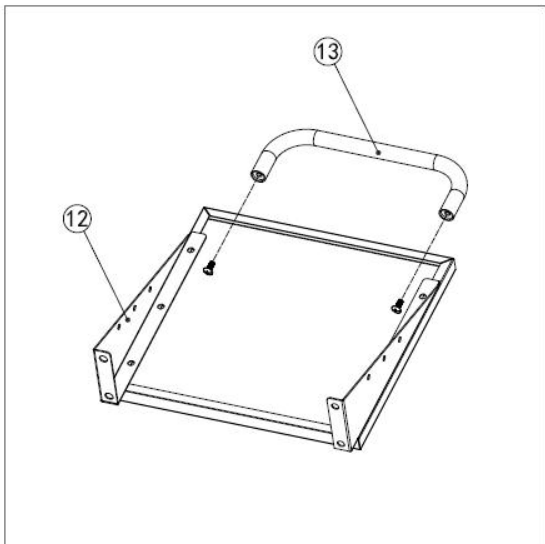
E		2PCS
---	--	------


8



A		2PCS
---	--	------


9



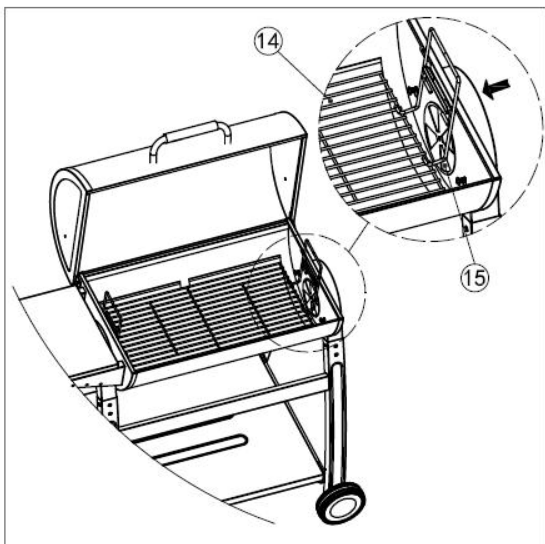
A  2PCS

10



A  4PCS

11



A  2PCS

12



B  2PCS

