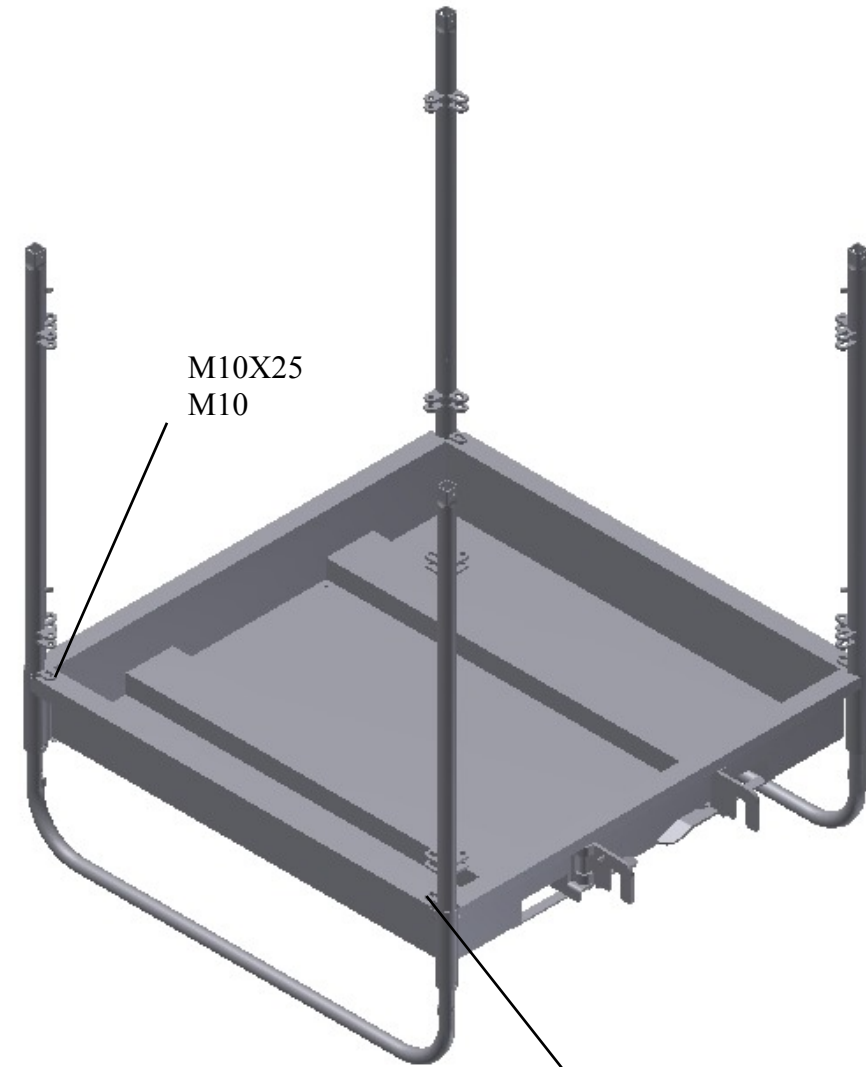


POSTS INSTALLATION



M10X25
M10

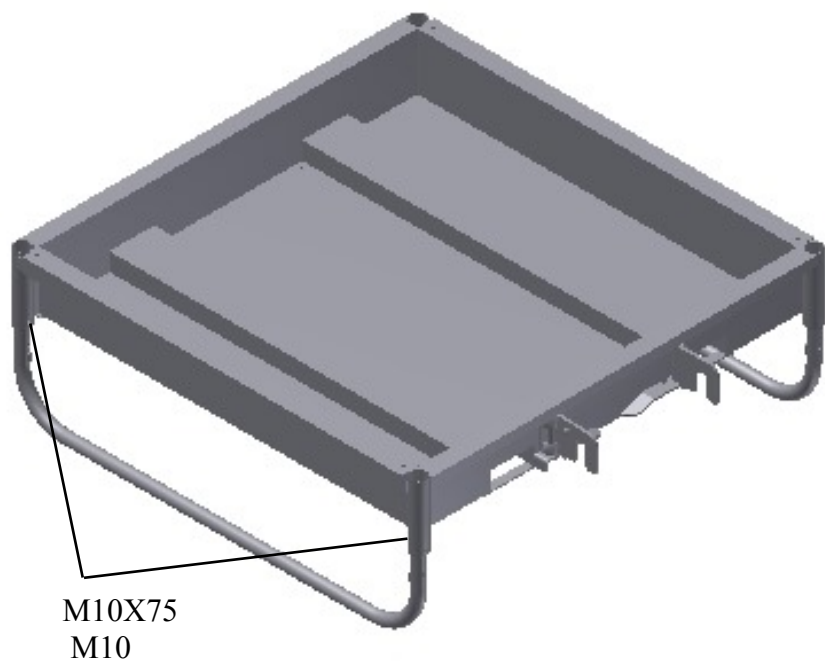
2 PCS M12x25
2 PCS M12 SCREW CAP

M10X25
M10

INSTALLATION INSTRUCTIONS Feeding rack M2/8

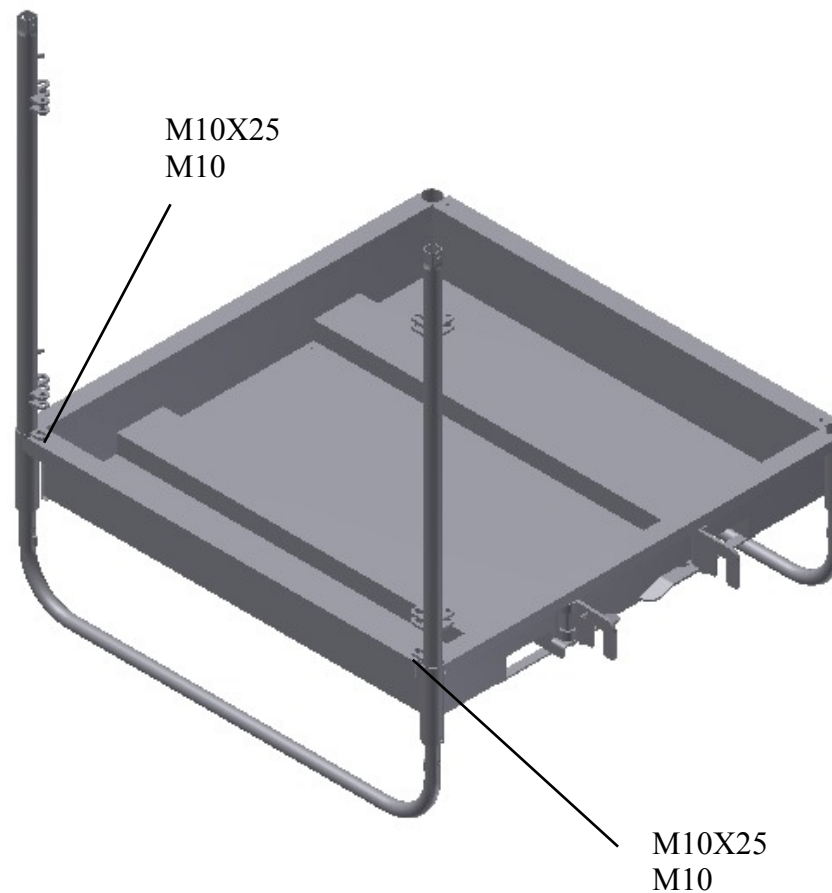


BOBS INSTALLATION



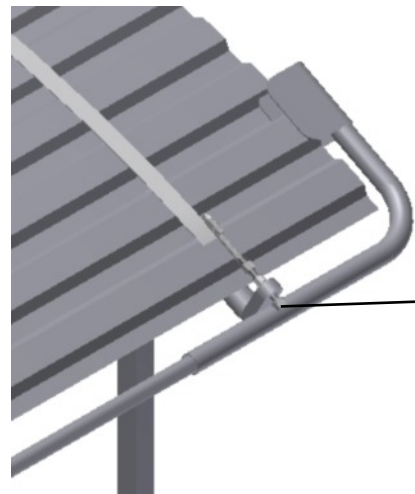
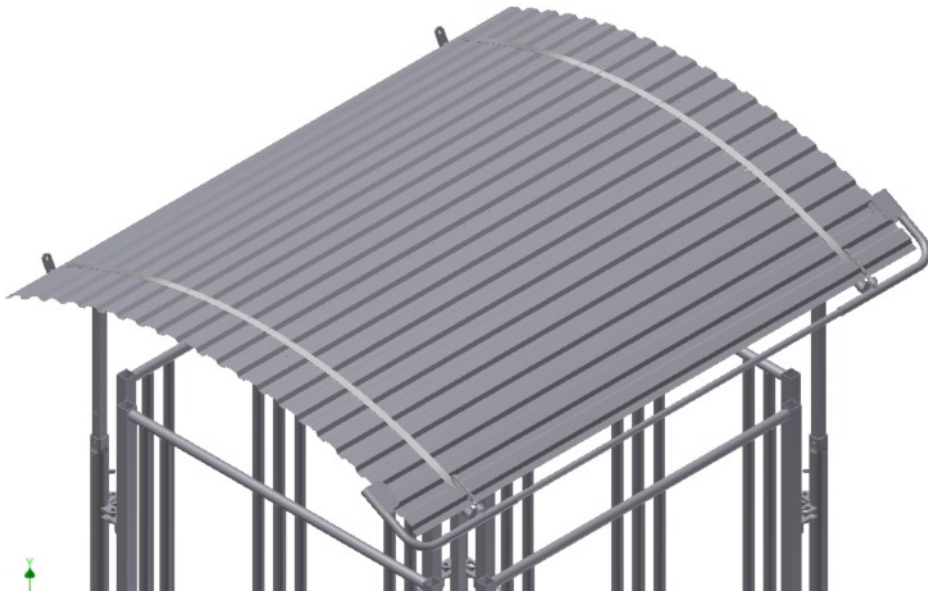
4 PCS M10x75
4 PCS M10 SCREW CAP

POSTS INSTALLATION



2 PCS M10x25
2 PCS M10 SCREW CAP

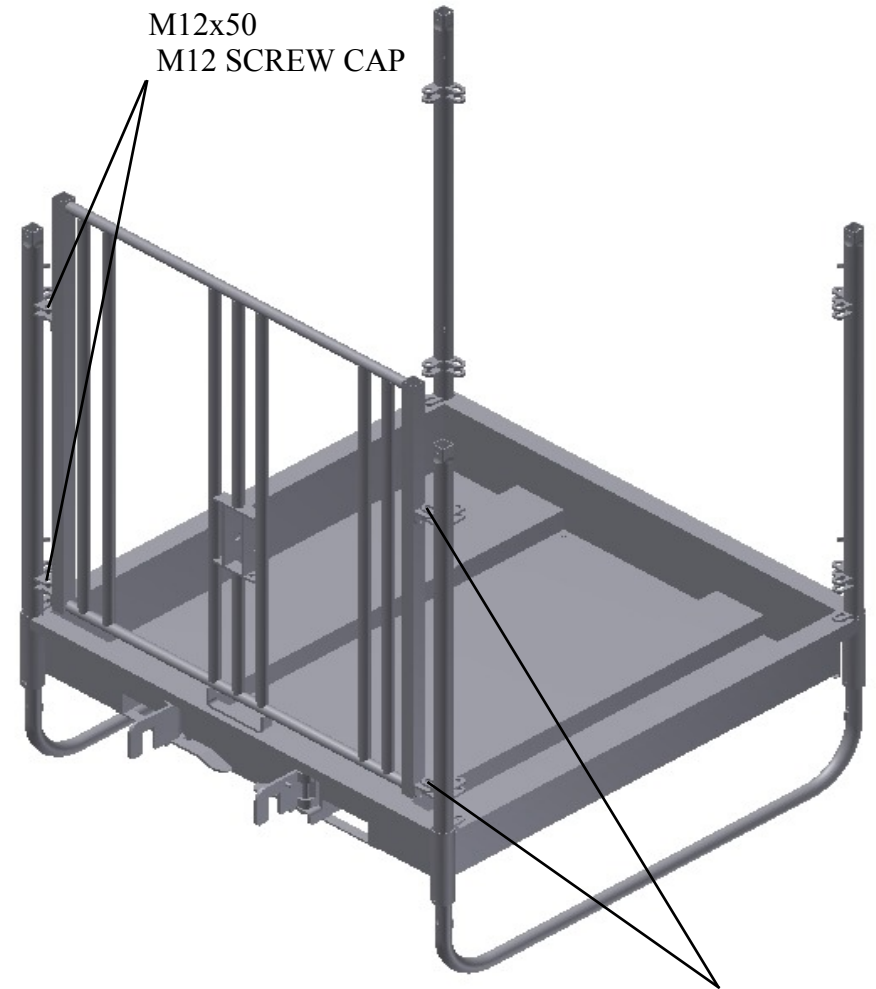
ROOF INSTALLATION



M8X60
M8
Base

2 PCS BELT
2 PCS HOOKS M8 + BASE
2 PCS M8X60

SIDE INSTALLATION



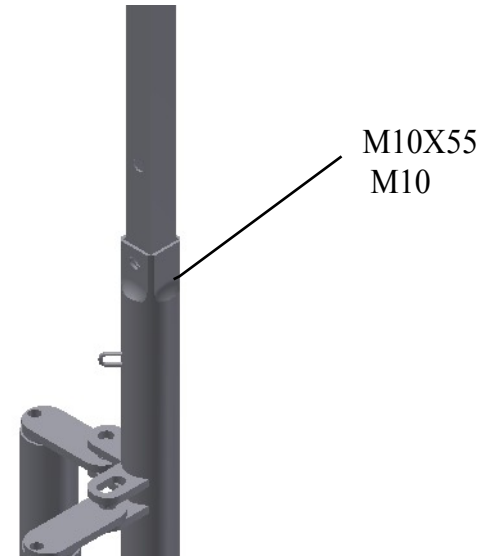
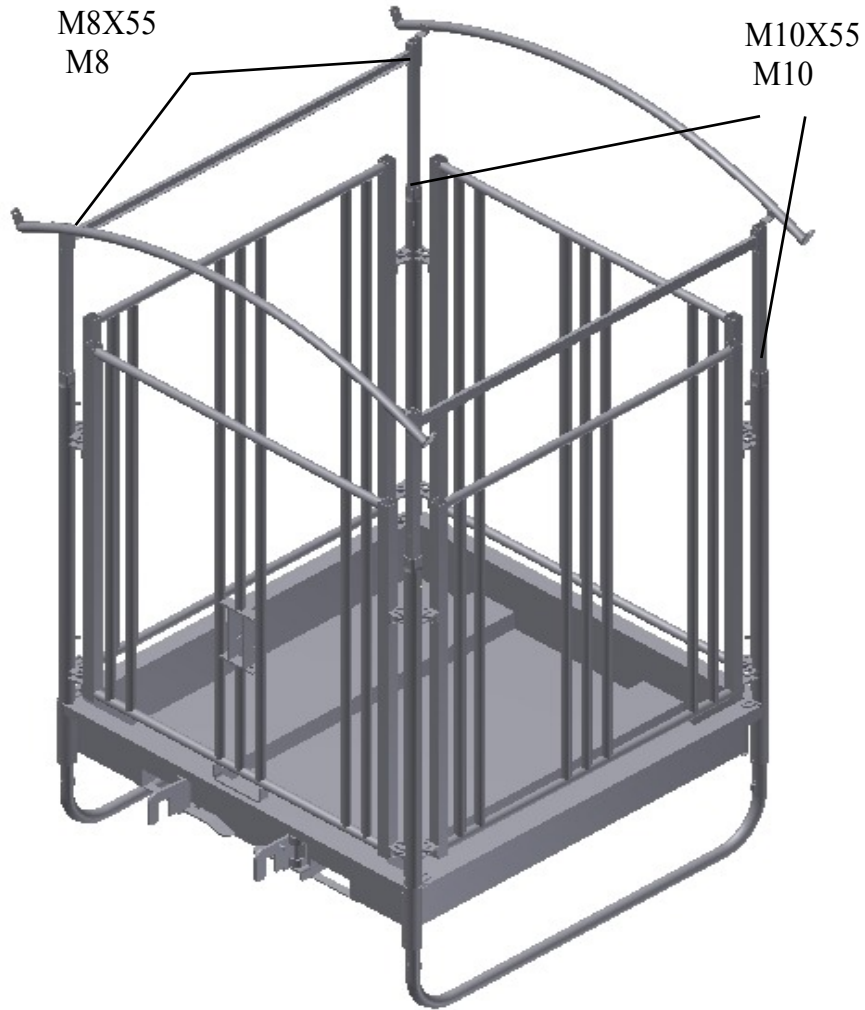
M12x50
M12 SCREW CAP

BOLT AND CHAIN

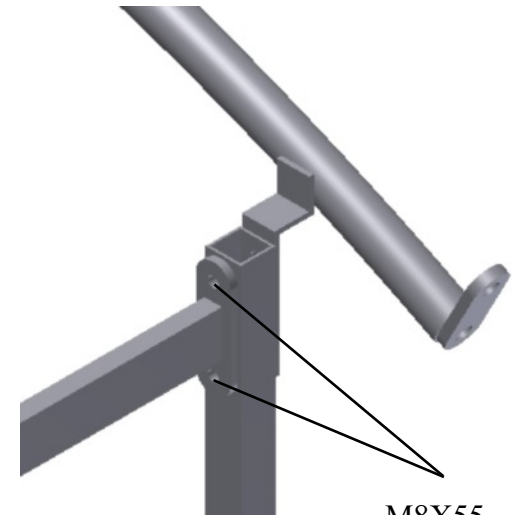
8 PCS M12x50
8 PCS M12 SCREW CAP
8 PCS BOLT AND CHAIN

BOW COLLECTORS INSTALLATION

REINFORCEMANT INSTALLATION



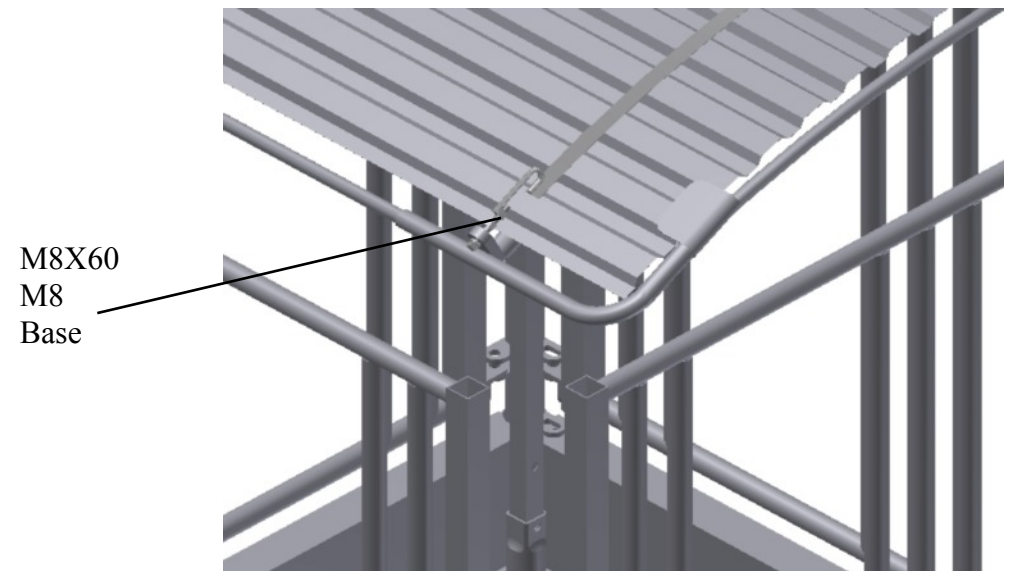
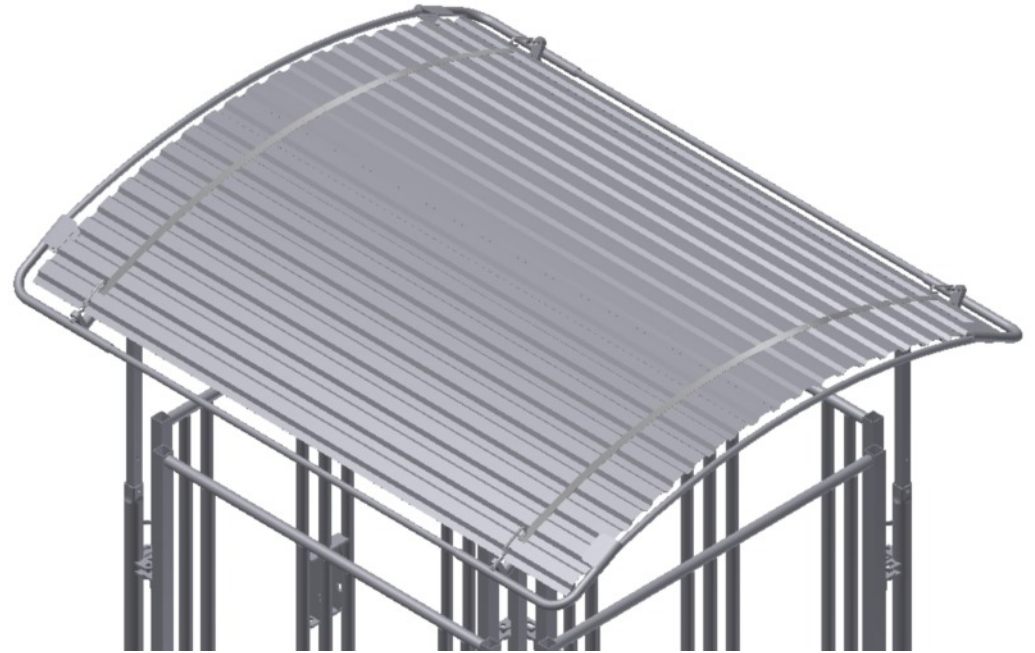
M10X55
M10



M8X55
M8

- 8 PCS M8x55
- 8 PCS M8
- 4 PCS M10x55
- 4 PCS M10

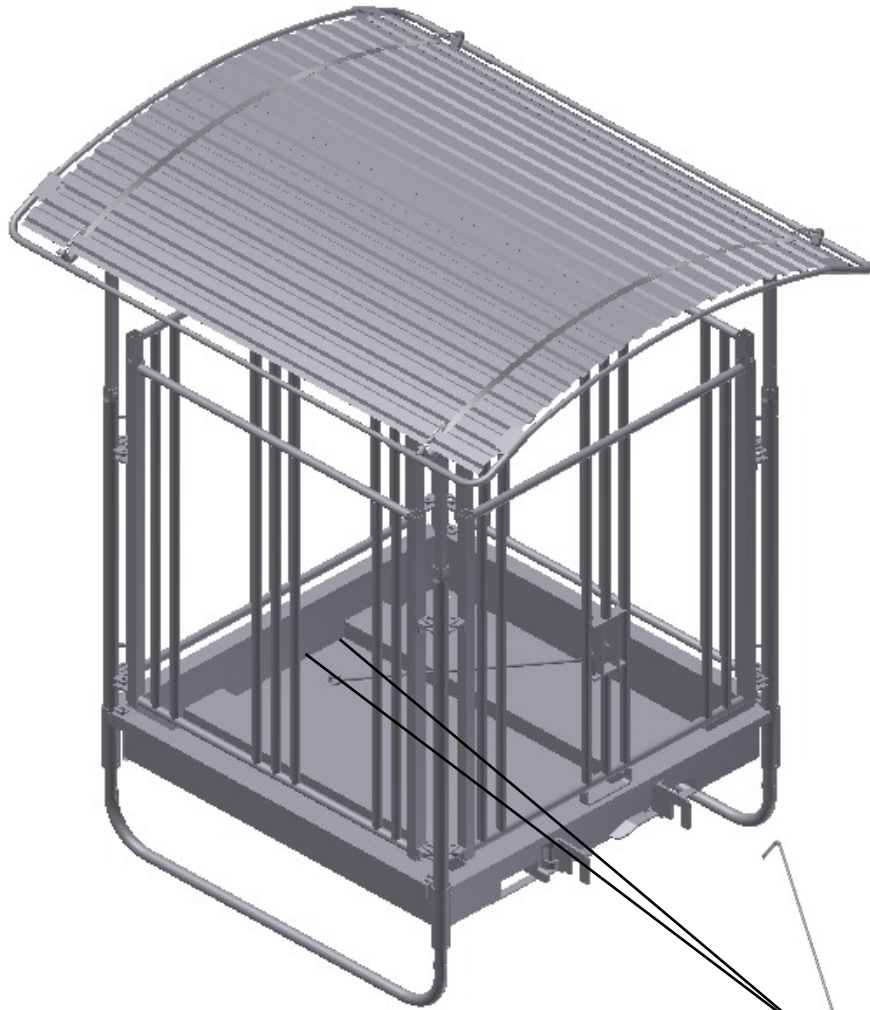
ROOF INSTALLATION



M8X60
M8
Base

2 PCS HOOKS M8 + BASE
2 PCS M8X60

TRANSPORT FEEDING RACK



M10x30
M10
BASE M10

2 PCS M10X30 + BASE
2 PCS M10

